

Led Flower Growlights

---

Technical Specifications

# Spectrabox UFO 200 White

Release date: 2023/06/01



# Spectrabox

<https://www.ledflowergrowlights.nl>

## Advantages Spectrabox UFO Series

### 1. High efficiency and Energy saving

The Spectrabox UFO Series are high efficient LED grow lights. Tests have shown that LED grow lights give plants greater light intensity and grow rates than standard HPS grow lights, yet using only 50% of the electricity.

### 2. Dual White Spectrum

The Spectrabox UFO White is provided with a dual white grow & bloom spectrum. This makes the UFO White ideal as indoor grow lighting for living rooms and office buildings. The LEDs are covered by a 120° lens for optimal light distribution and penetration over a large grow area. A 90° lens is optional available.

### 3. Dim function

The Spectrabox UFO is provided with a dim function, so the light intensity can be adjusted to the need of plants during all phases of plant growth. Dimmer is not included.

### 4. Waterproof

The Spectrabox UFO Series is IP66 waterproof. The LEDs are attached to the aluminum frame and waterproof covered by a high-quality lens.

### 5. Plug and Play

Simple setup required; no reflector and ballast are needed, only a power cord. Mount a power cord to the Spectrabox and plug directly into a grounded AC110 or AC230 Volts power socket.

### 6. SMT & SPC technology

High-power Seoul SMD 3030 white Grow & Bloom LEDs are mounted by computer controlled SMT technology and driven at a safe amperage to ensure a long lifespan at best PAR light output. SPC technology guarantees the Spectrabox UFO Series will work stable, even if any of the LEDs fail, it will not affect other LEDs.

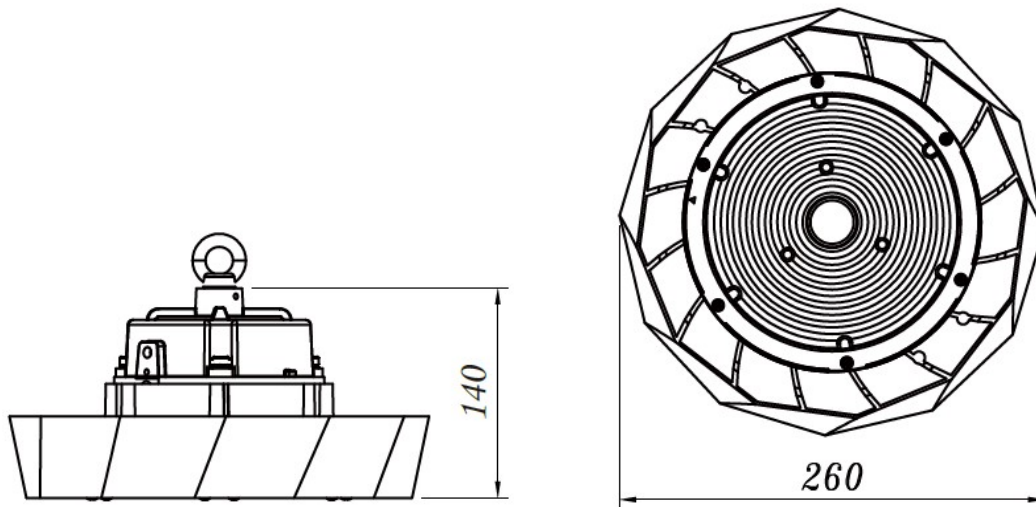
### 7. Advanced thermal design

The LEDs are passively cooled by the innovative aluminum heatsink. The aluminum PCB is directly attached to the aluminum frame of the Spectrabox UFO Series for excellent heat dissipation. Passive LED cooling is preferred above active cooling. No moving parts are needed, which is energy efficient and requires no maintenance.

### 8. Environment friendly

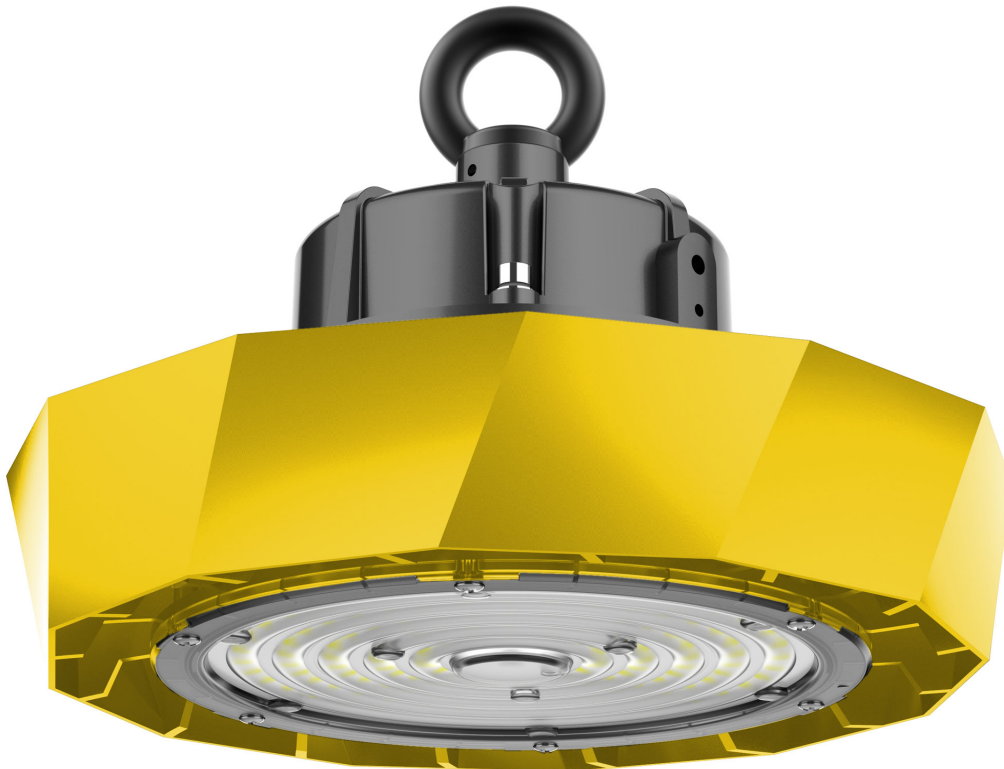
The Spectrabox UFO Series doesn't contain the harmful substance HPS & MH have; no hazardous waste to deal with which makes our earth cleaner and greener. LEDs are superior in comparison to other lighting technologies in terms of negative environmental and health effects during the manufacturing process.

## Dimensions Spectrabox UFO 200 White

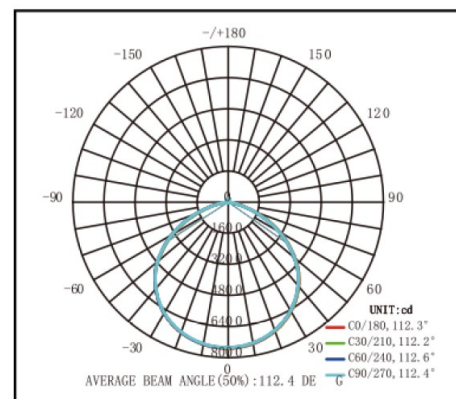
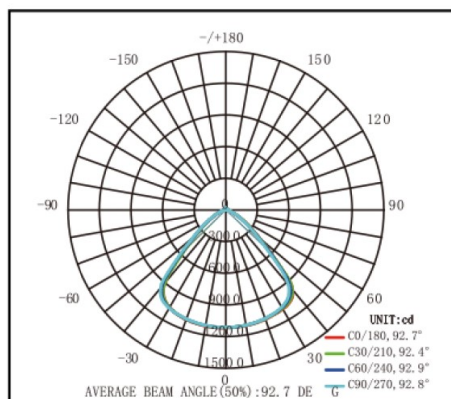


1. The Spectrabox UFO Series LED grow light is ideal for office and living room indoor grow lighting.
2. The Spectrabox UFO 200 White is the equivalent of a 400W HPS grow light.
3. Ideal for all phases of plant growth and works well in any garden, either hydroponics or soil based.
4. Using Dim control to adjusted the light intensity to the need of plants during all phases of plant growth.
5. OEM/ODM or customized integrated grow lighting solutions are available on request.

## Picture Spectrabox UFO



### Photometric Diagram Spectrabox UFO 200 White



### Technical specifications Spectrabox UFO 200

Item	Value	Item	Value
LED chips	Seoul 3030	Power consumption	~ 200 Watt
LED driver	Sosen	Power factor	> 98%
LED wavelength	Full-spectrum	Dim control (optional)	10 – 100%
Optic lens	120° beam angle	Voltage	100V – 277V
LED photon flux	~ 2,4 μmol /J	Frequency	50/60 Hz
Height above plants	> 50 mm	Working environment	-20 ~ + 40°C
Estimate lifespan	50.000 hours	Waterproof level	IP66
Size Spectrabox	Ø 260x140 mm	Weight	2,7 Kg

### Certification and Warranty Spectrabox UFO Series



Note:

1. Don't look into the Spectrabox light directly without wearing sunglasses.
2. Determine the lighting time depending on growing phase and species.
3. Power socket should be connected to the ground/earth.
4. After sales service; 3-year warranty\*

\* Warranty according EU directive 2009/125/EG.